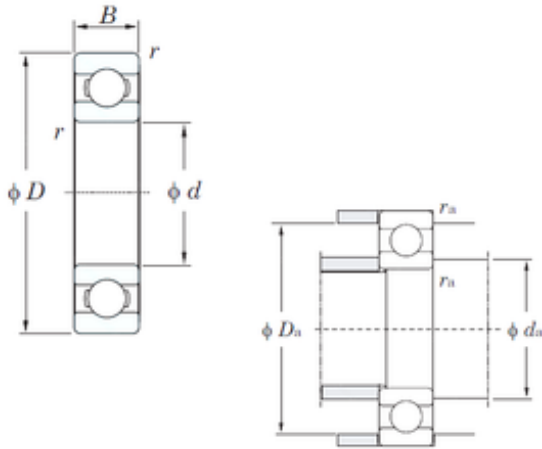




BEARING SUDAMERICANA, S.A.



6003 Bearing 2D drawings and 3D CAD models

NSK Koyo NTN SKF Deep Groove Ball
Bearings 6003 608zz 6203 163110 15329 6004du
6014 6200zz 6201z 6204 6205zz 6314c4 6203

Bearing No. 6003

Size	17x35x10 mm
Bore Diameter	17 mm
Outer Diameter	35 mm
Width	10 mm
d	17 mm
D	35 mm
B	10 mm
C	10 mm
r min.	0,3 mm
da min.	19 mm
Da max.	33 mm
ra max.	0,3 mm
Weight	0,039 Kg
Basic dynamic load rating (C)	6 kN
Basic static load rating (C0)	3,25 kN
(Grease) Lubrication Speed	21000 r/min
(Oil) Lubrication Speed	25000 r/min
Category	Single Row Ball Bearings
Inventory	0.0
Manufacturer Name	KOYO
Minimum Buy Quantity	N/A
Weight / Kilogram	0.042
EAN	0605790043079
Product Group	B00308



BEARING SUDAMERICANA, S.A.

Enclosure	Open
Precision Class	ABEC 1 ISO P0
Maximum Capacity / Filling Slot	No
Rolling Element	Ball Bearing
Snap Ring	No
Internal Special Features	No
Cage Material	Steel
Internal Clearance	C0-Medium
Inch - Metric	Metric
Long Description	17MM Bore; 35MM Outside Diameter; 10MM Outer Race Diameter; Open; Ball Bearing; ABEC 1 ISO P0; No Filling Slot; No Snap Ring; No Internal Special Features
Category	Single Row Ball Bearing
UNSPSC	31171504
Harmonized Tariff Code	8482.10.50.68
Noun	Bearing
Keyword String	Ball
Manufacturer URL	http://www.koyousa.com
Manufacturer Item Number	6003
Weight / LBS	0.093
Bore	0.669 Inch 17 Millimeter
Outside Diameter	1.378 Inch 35 Millimeter
Outer Race Width	0.394 Inch 10 Millimeter
Bearing No.	6003
r(min)	0.3
Cr	7.50
C0r	3.25
Cu	0.170
f0	14.4



BEARING SUDAMERICANA,S.A.

Grease lub.	21000
Oil lub.	25000
da(min)	19
Da(max)	33
ra(max)	0.3
(Refer.)Mass(kg)	0.039